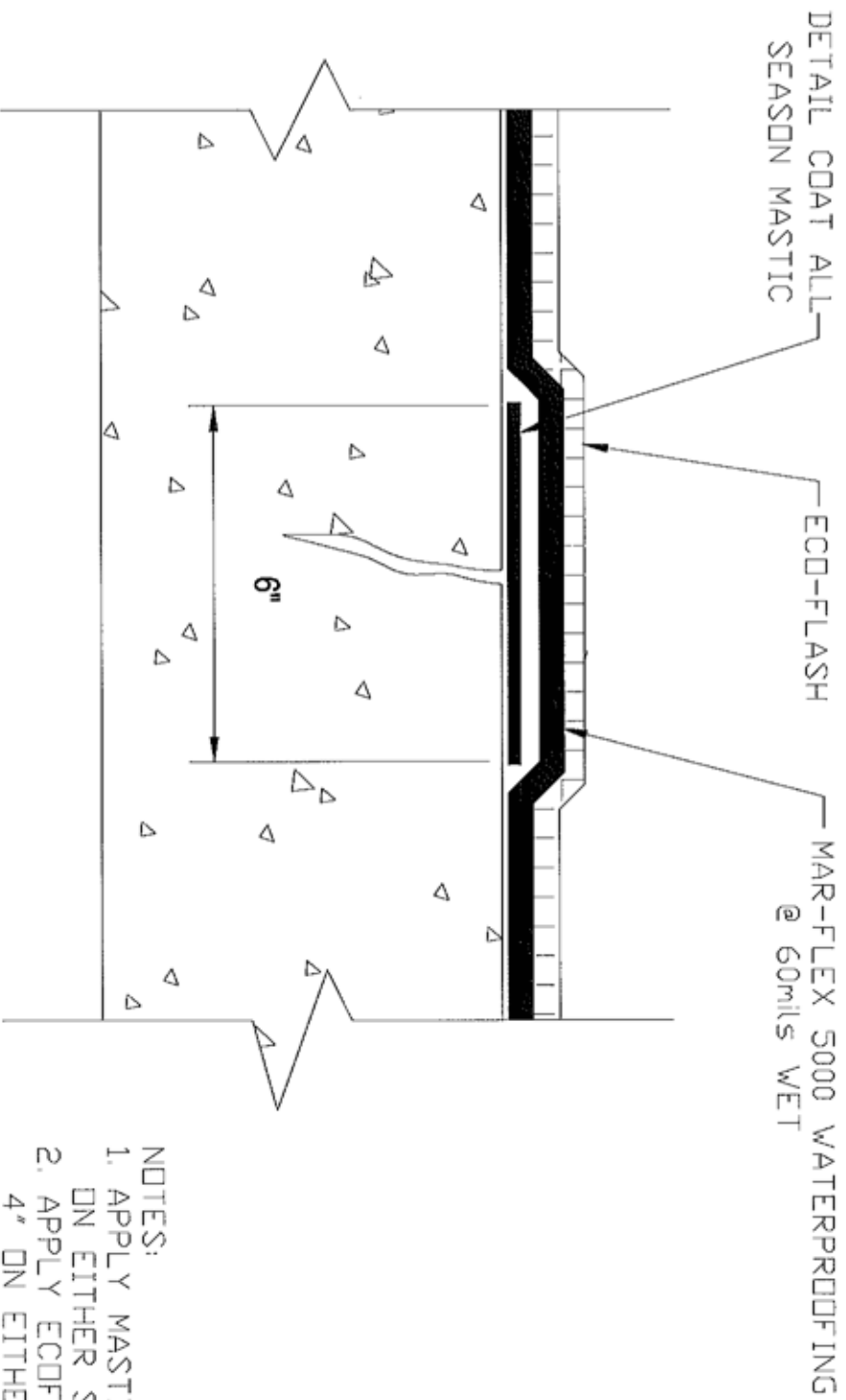


CRACK TREATMENT
NON MOVING CRACKS LESS THAN 1/16"



- NOTES:
1. APPLY MASTIC A MINIMUM OF 2" ON EITHER SIDE OF CRACK.
 2. APPLY ECCOFLASH A MINIMUM OF 4" ON EITHER SIDE OF CRACK.
 3. DETAIL ALL ECCOFLASH SEAMS WITH MASTIC

Mar-flex Waterproofing & Building Products

500 Business Pkwy

Carlisle, OH 45005

Phone: (800) 498-1411

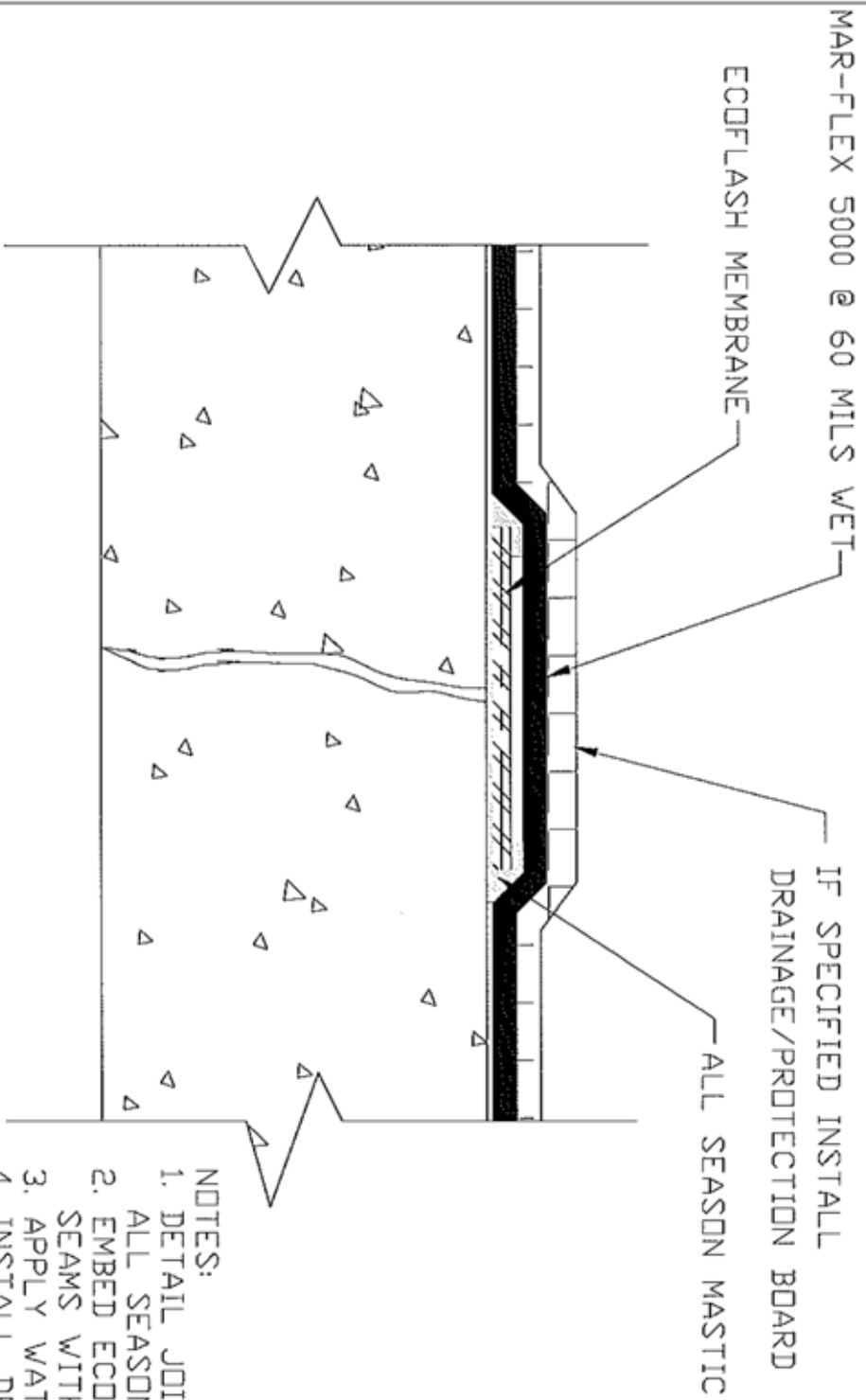
Phone: (513) 422-7285

Fax: (513) 422-7282

www.mar-flex.com

MF5/2CTL

CRACK TREATMENT GREATER THAN 1/16" CONSTRUCTION JOINTS OR MOVING CRACKS



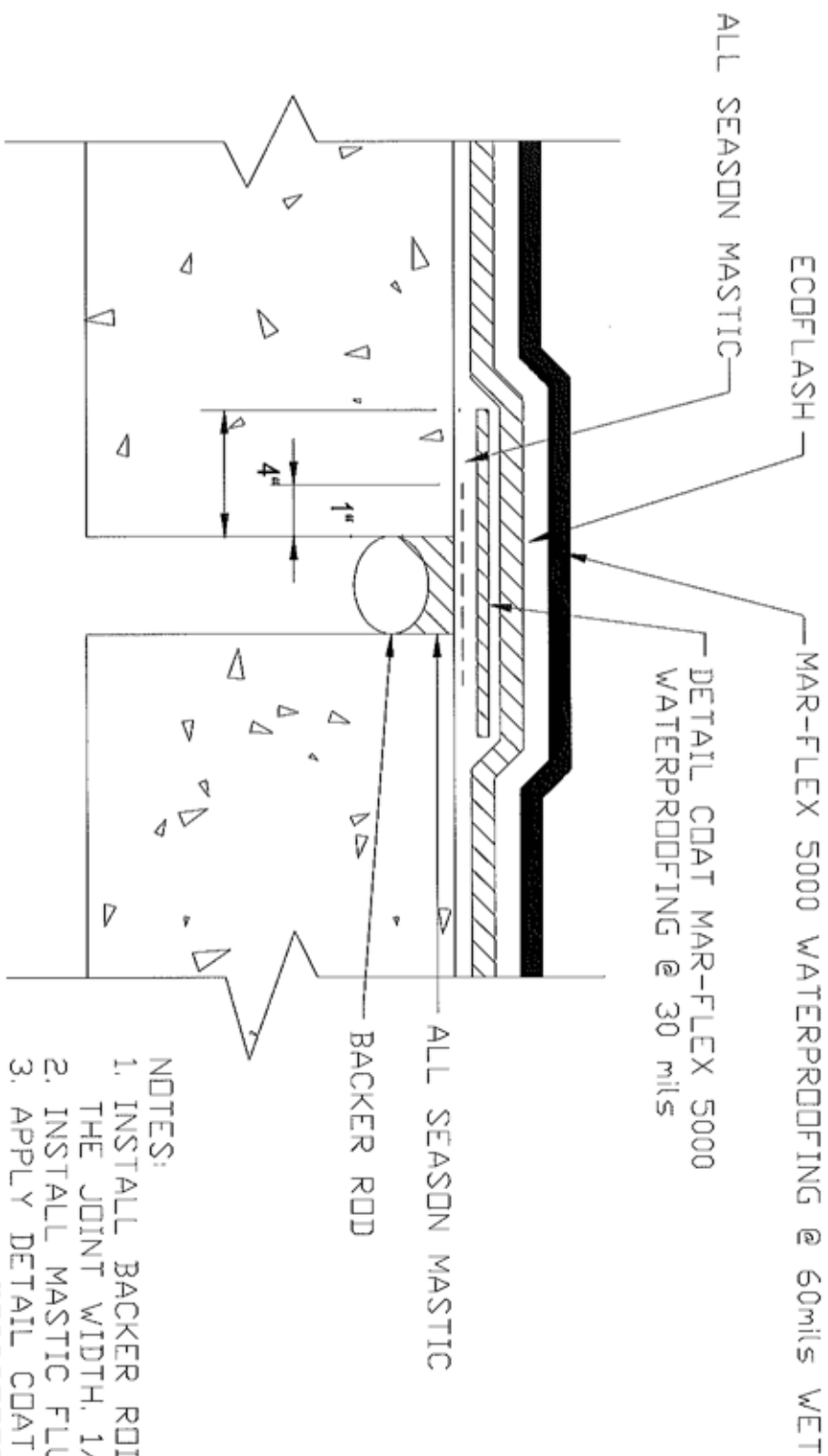
- NOTES:
1. DETAIL JOINT OR CRACK WITH ALL SEASON MASTIC.
 2. EMBED ECDFLASH IN MASTIC DETAIL SEAMS WITH MASTIC.
 3. APPLY WATERPROOFING @ 60mils WET.
 4. INSTALL DRAINAGE/PROTECTION BOARD IF SPECIFIED.

Mar-flex Waterproofing & Building Products

500 Business Pkwy
 Carlisle, OH 45005
 Phone: (800) 498-1411
 Phone: (513) 422-7285
 Fax: (513) 422-7282
 www.mar-flex.com

MF5/3CTG

EXPANSION JOINTS LESS THAN 1/2"



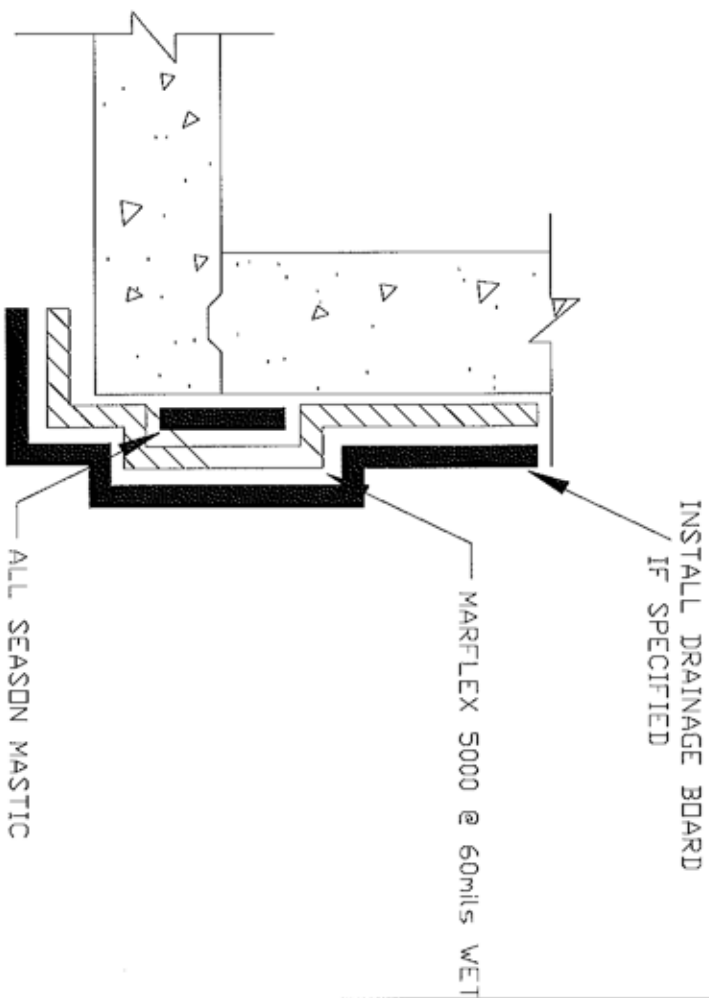
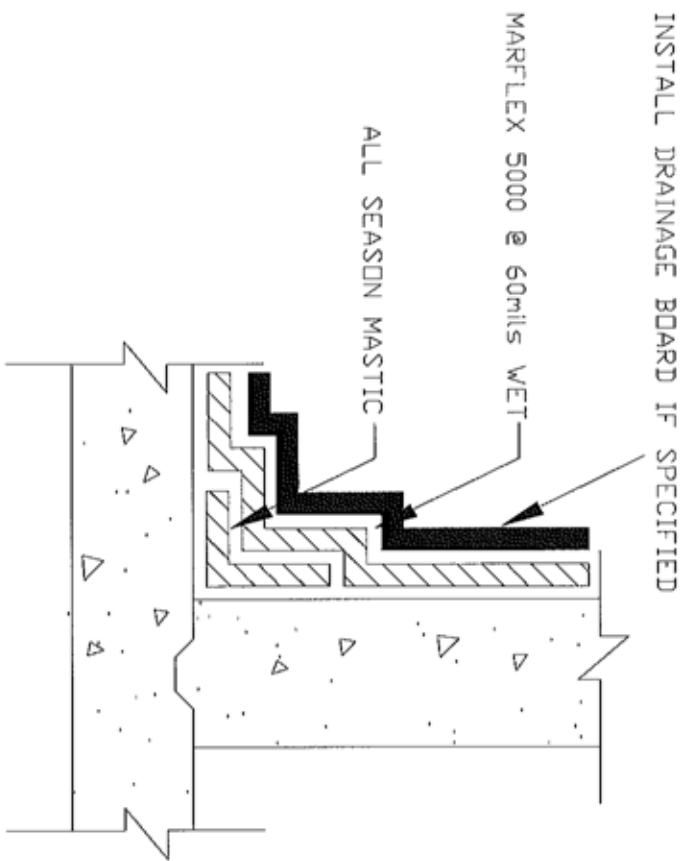
- NOTES:
1. INSTALL BACKER ROD 1/2 THE DEPTH OF THE JOINT WIDTH. 1/2" W = 1/4" DEPTH.
 2. INSTALL MASTIC FLUSH WITH SURFACE.
 3. APPLY DETAIL COAT OF 5000 @ 30 mils WET
 4. APPLY WATERPROOFING COAT @ 60mils WET

Mar-flex Waterproofing & Building Products

500 Business Pkwy
 Carlisle, OH 45005
 Phone: (800) 498-1411
 Phone: (513) 422-7285
 Fax: (513) 422-7282
 www.mar-flex.com

MFS/4EJL

INSIDE/OUTSIDE ANGLE CHANGES WITH CONSTRUCTION JOINT



Mar-flex Waterproofing & Building Products

500 Business Pkwy

Carlisle, OH 45005

Phone: (800) 498-1411

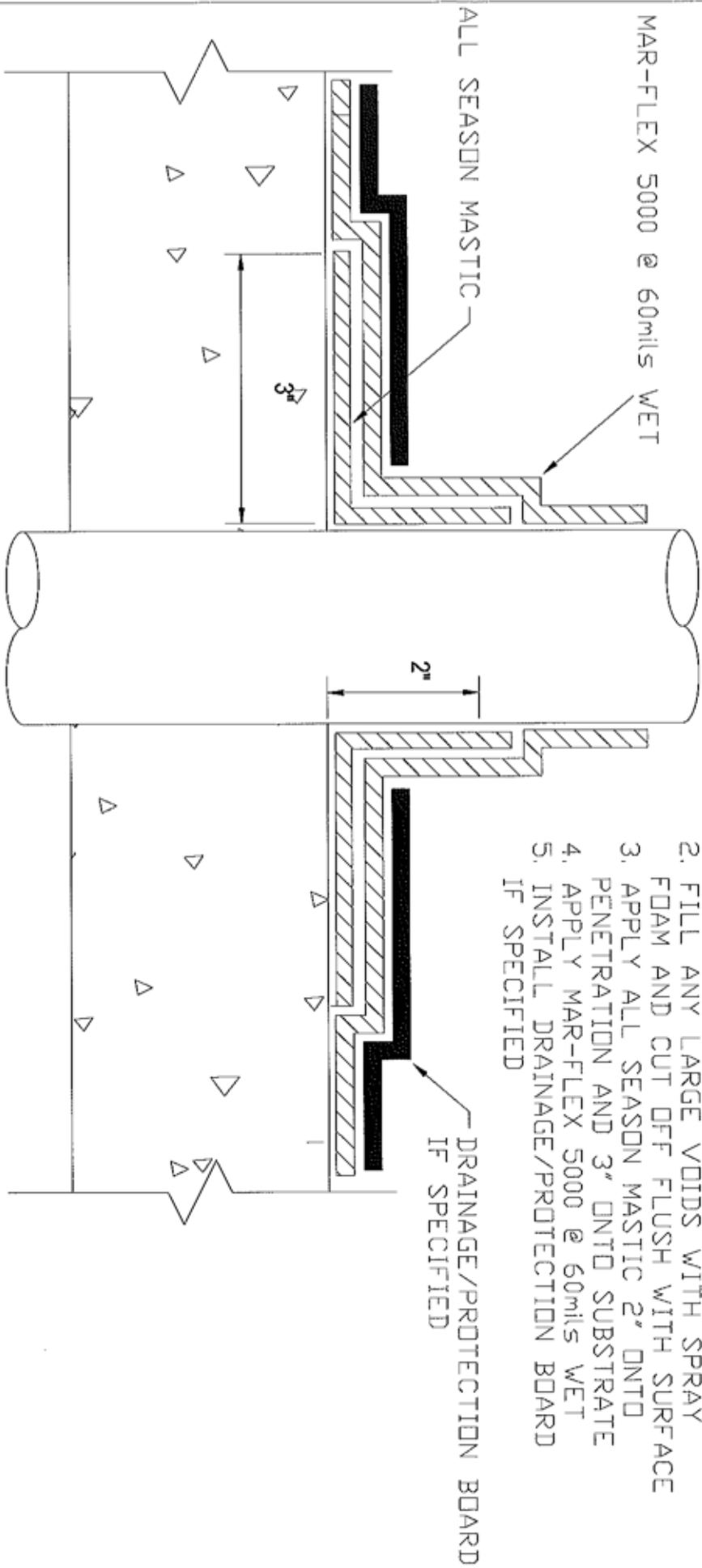
Phone: (513) 422-7285

Fax: (513) 422-7282

www.mar-flex.com

MFS/5ACCJ

PIPE PENETRATION



Mar-flex Waterproofing & Building Products

500 Business Pkwy

Carlisle, OH 45005

Phone: (800) 498-1411

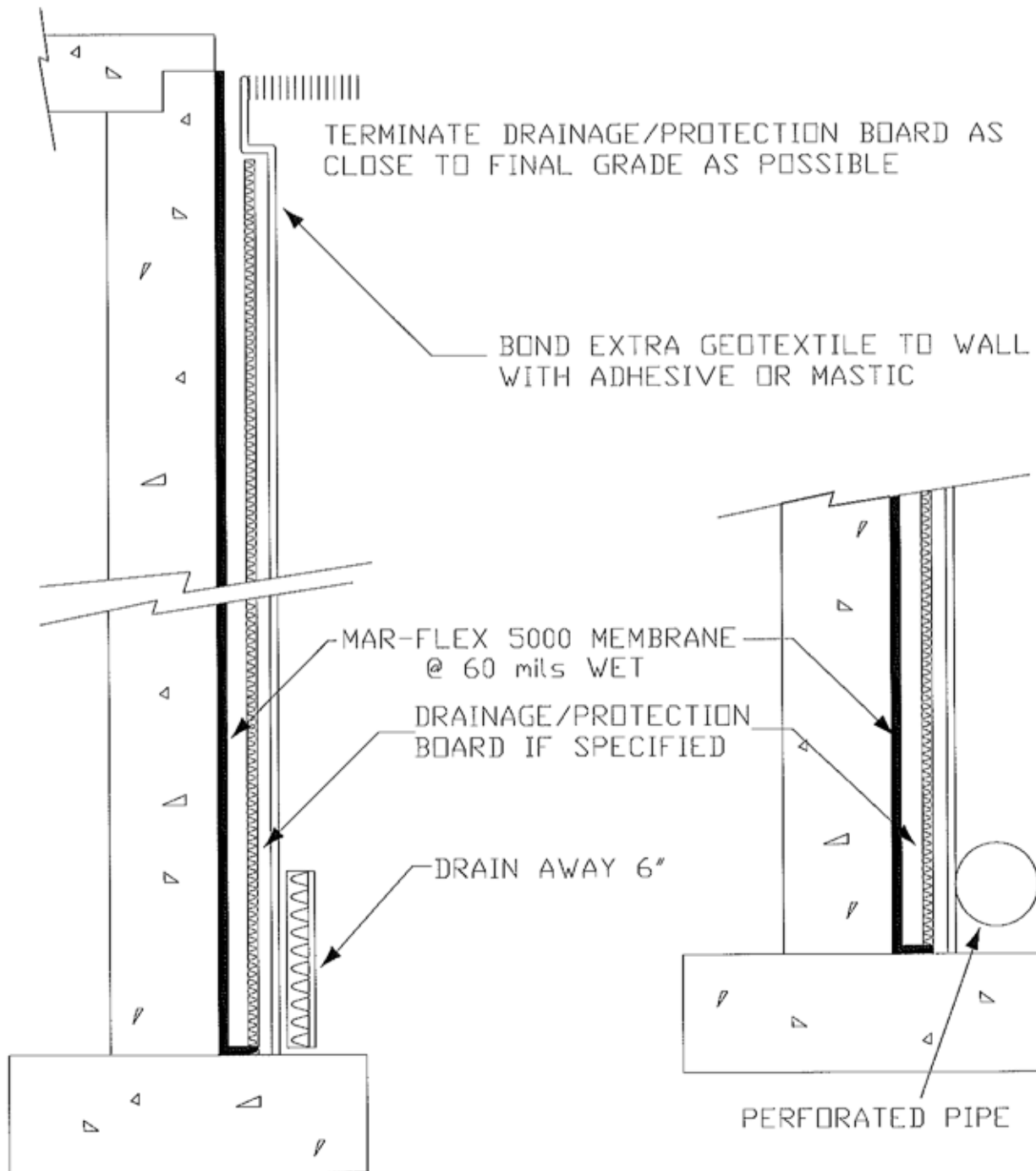
Phone: (513) 422-7285

Fax: (513) 422-7282

www.mar-flex.com

MF5/8TPP

TYPICAL FOUNDATION WALL DETAIL

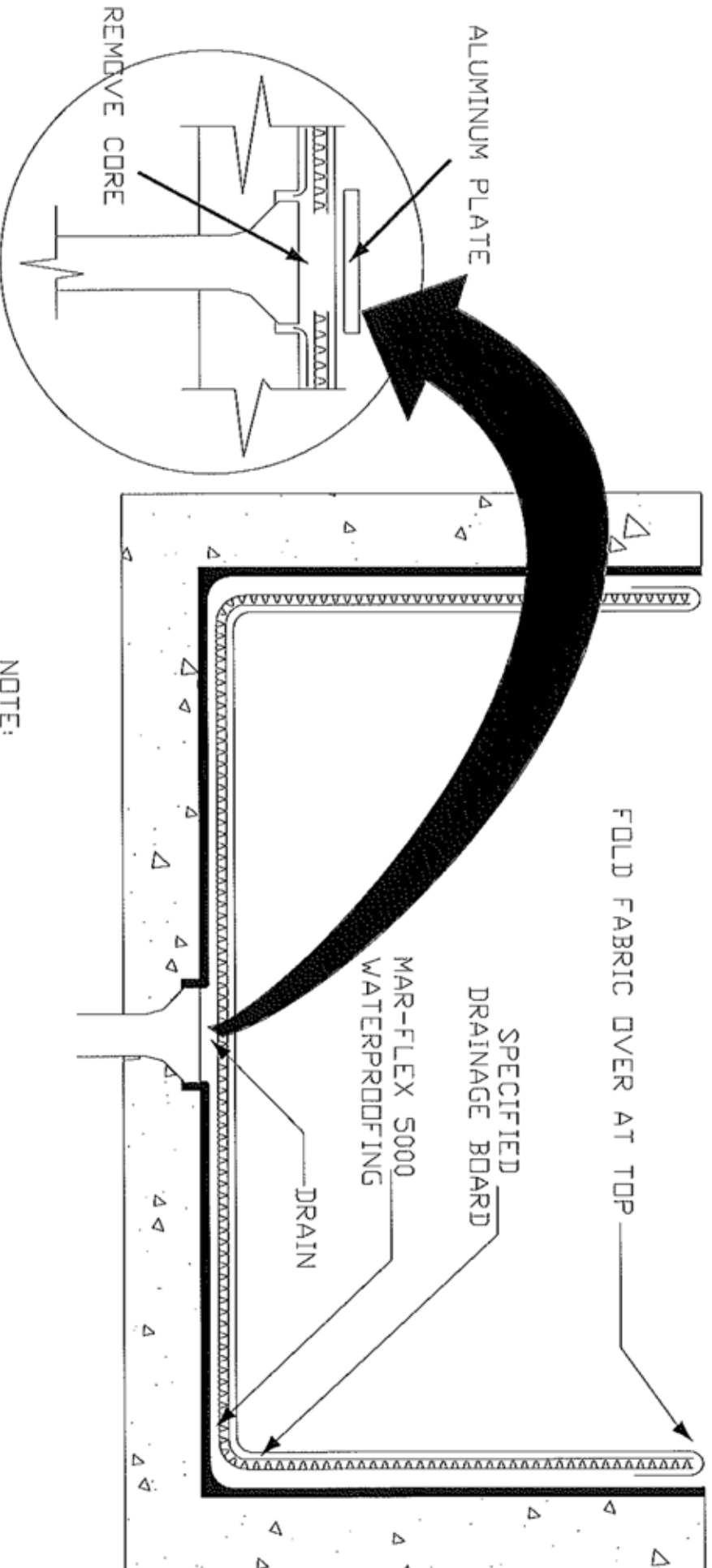


NOTE: ALTERNATE METHOD FOR WATER COLLECTION. SEE DRAIN AWAY FOUNDATION DRAINAGE FOR FITTINGS AND ADAPTORS

Mar-flex Waterproofing & Building Products
500 Business Pkwy
Carlisle, OH 45005
Phone: (800) 498-1411
Phone: (513) 422-7285
Fax: (513) 422-7282
www.mar-flex.com

MF5/1WS

TYPICAL PLANTER DETAIL



NOTE:
WHEN USING DRAINAGE BOARD REMOVE CORE AND
COVER WITH ALUMINUM PLATE AS SHOWN IN DETAIL

Mar-flex Waterproofing & Building Products

500 Business Pkwy

Carlisle, OH 45005

Phone: (800) 498-1411

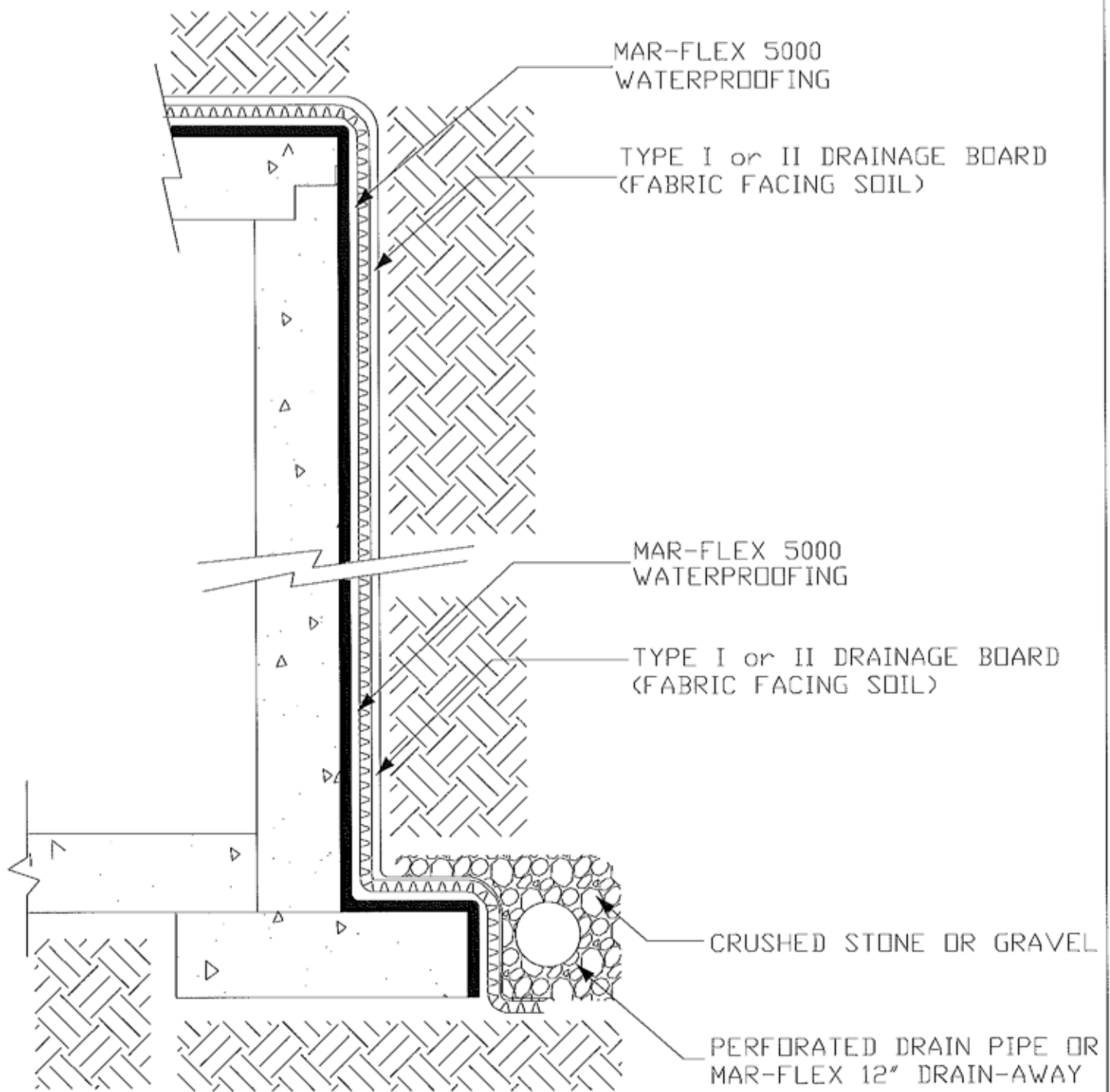
Phone: (513) 422-7285

Fax: (513) 422-7282

www.mar-flex.com

MFS/6TPD

TYPICAL TUNNEL DETAIL



Mar-flex Waterproofing & Building Products
500 Business Pkwy
Carlisle, OH 45005
Phone: (800) 498-1411
Phone: (513) 422-7285
Fax: (513) 422-7282
www.mar-flex.com

MF5/7TTD