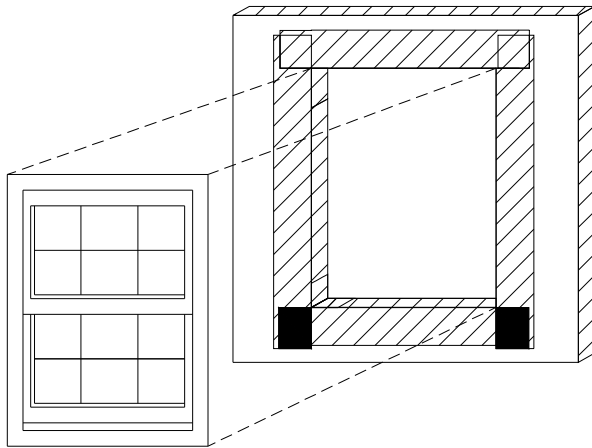
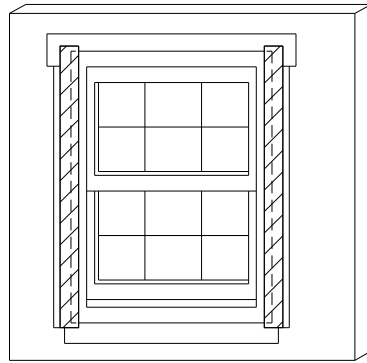


## WINDOW FLASHING

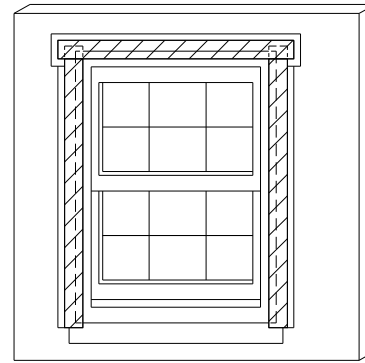
INSTALL WINDOW



INSTALL JAMB FLASHING



INSTALL HEAD FLASHING



### NOTES:

1. SURFACES SHALL BE CLEAN AND DRY AND PRIMED
2. FLASHINGS SHOULD BE A MINIMUM OF 6" WIDE. THE FLASHING SHALL COVER WINDOW FLANGE AND LAP ONTO SHEETING A MINIMUM OF 3"
3. SEQUENCE FLASHING INSTALLATION TO PROVIDE SHINGLED OVERLAPS.
4. OVERLAPS SHALL BE A MINIMUM OF 2".

**Mar-flex Waterproofing & Building Products**  
500 Business Parkway  
Carlisle, OH 45005  
513-422-7285/800-498-1411  
[www.mar-flex.com](http://www.mar-flex.com)

FD2/WF