

GEO-MAT "C" DRAIN
(DRAINAGE MAT) 110 OR 150

ARMORCLAY BITUMEN TAPE

ARMORCLAY SEAM TAPE
OR BITUMEN TAPE

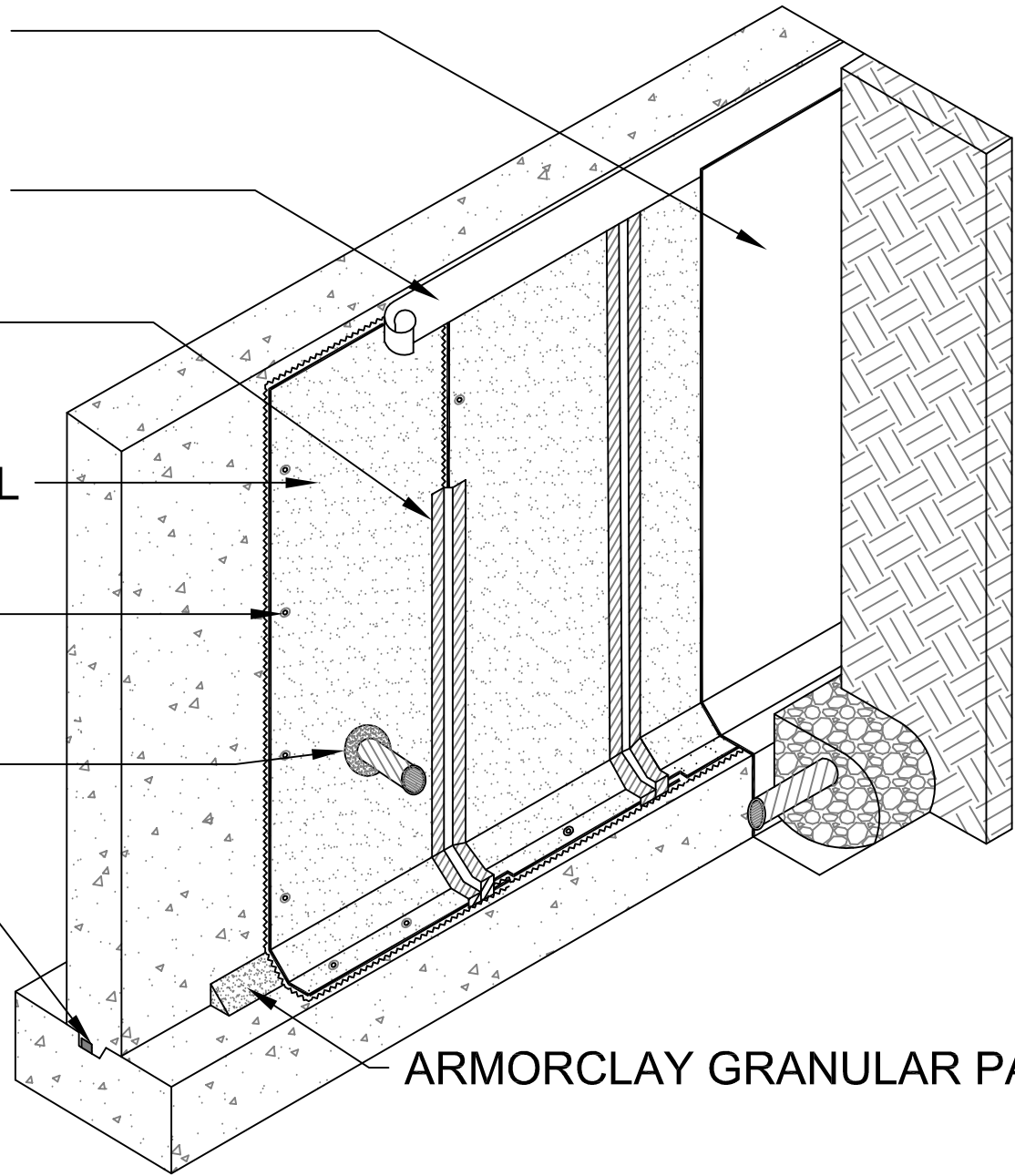
ARMORCLAY 600 / 1000 ROLL

FASTENERS

ARMORCLAY MASTIC

ARMORCLAY WATERSTOP

ARMORCLAY GRANULAR PACK



A-1

FOUNDATION WALL WATERPROOFING
VERTICAL SEAMS



GEO-MAT "C" DRAIN
(DRAINAGE MAT) 110 OR 150

ARMORCLAY TERMINATION BAR

ARMORCLAY SEAM TAPE
OR BITUMEN TAPE

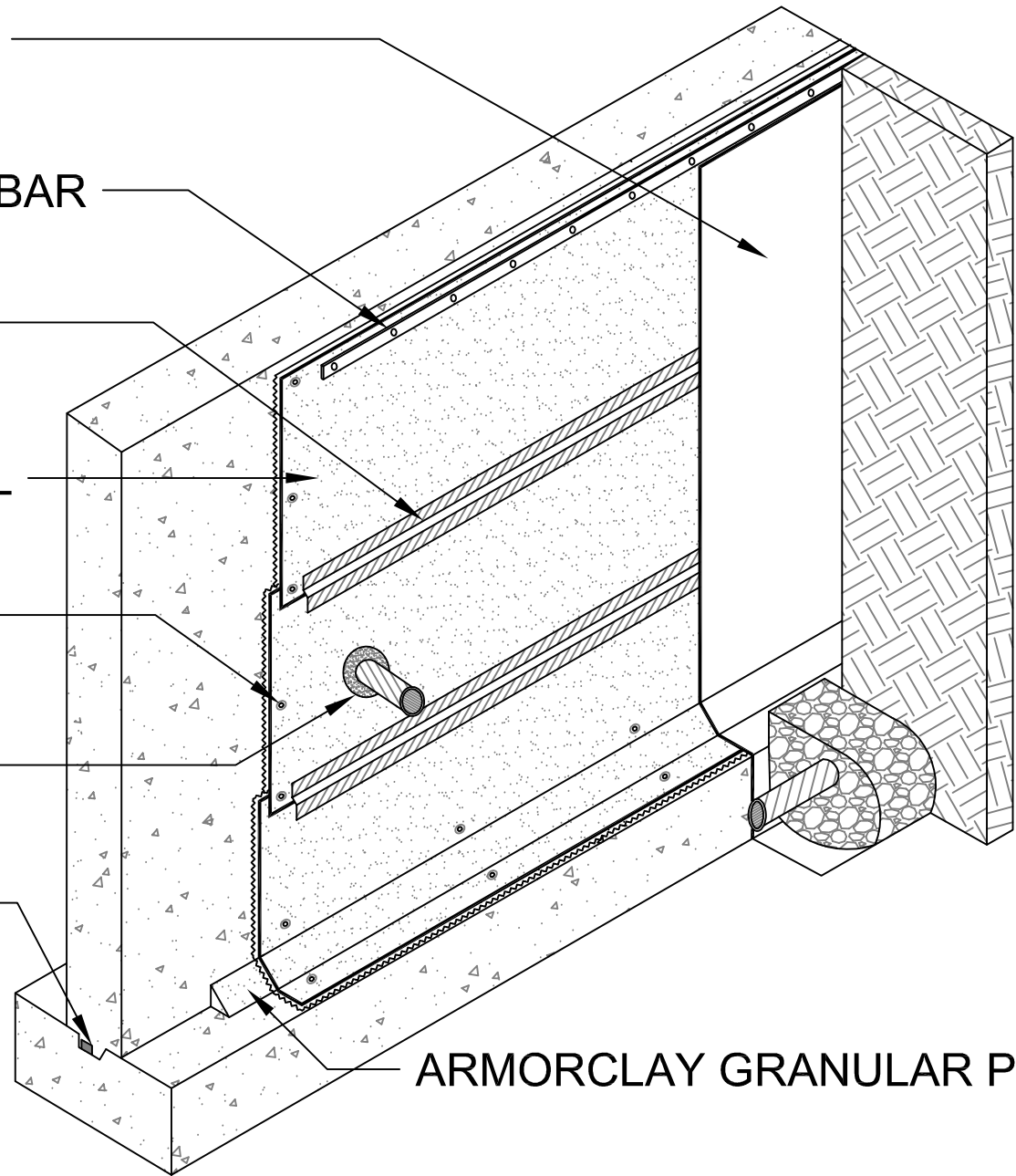
ARMORCLAY 600 / 1000 ROLL

FASTENERS

ARMORCLAY MASTIC

ARMORCLAY WATERSTOP

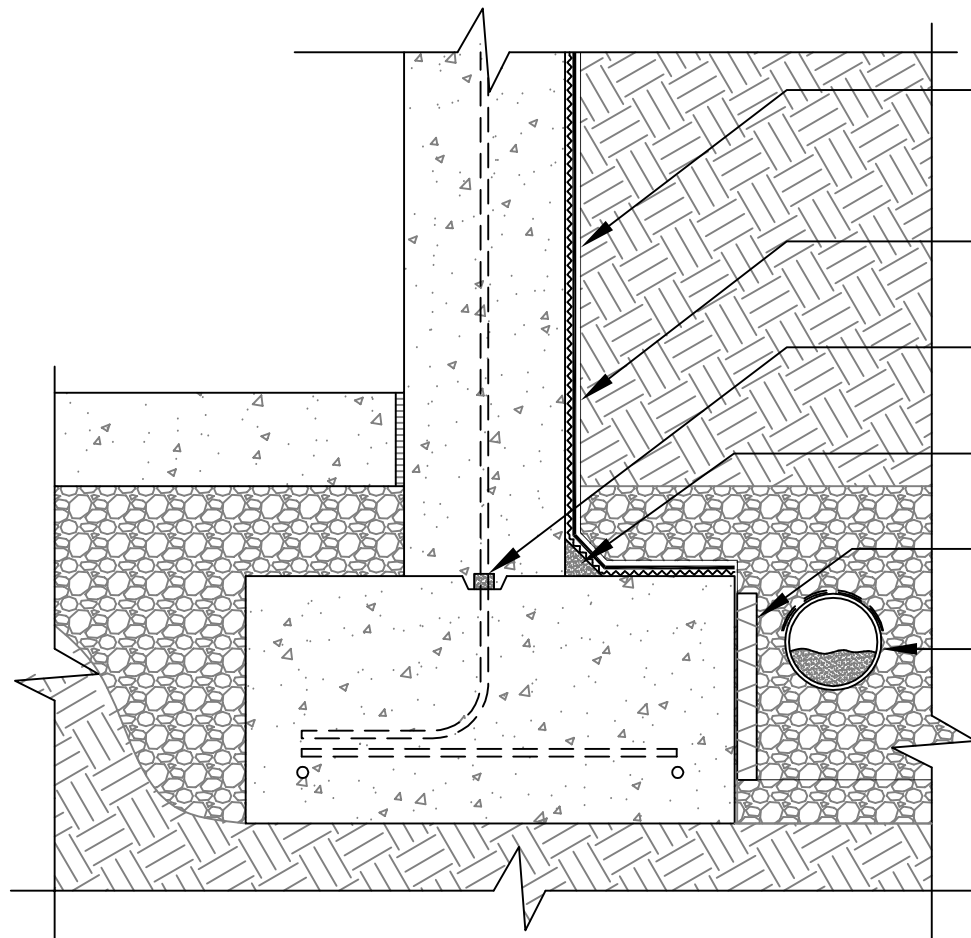
ARMORCLAY GRANULAR PACK



A-2

FOUNDATION WALL WATERPROOFING
HORIZONTAL SEAMS





- GEO-MAT "C" DRAIN
(DRAINAGE MAT) 110 OR 150
- ARMORCLAY 600/1000
- ARMORCLAY WATERSTOP
- ARMORCLAY GRANULAR PACK
- 12" GEO DRAIN TILE
- DRAIN TILE

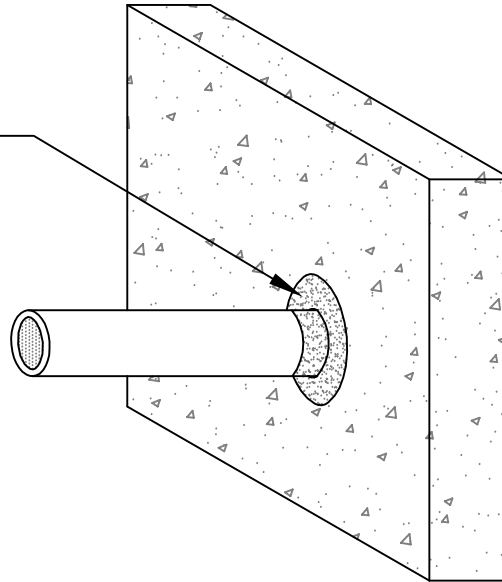
NOTE: MAY USE 12"
GEO DRAIN TILE OR 4"
OR 6" DRAIN TILE

A-3

FOUNDATION WALL FOOTING DETAIL

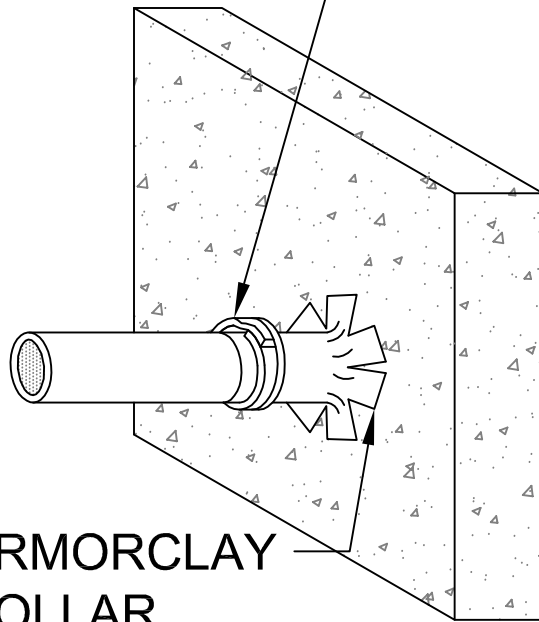


ARMORCLAY MASTIC



STEP ONE

PIPECLAMP



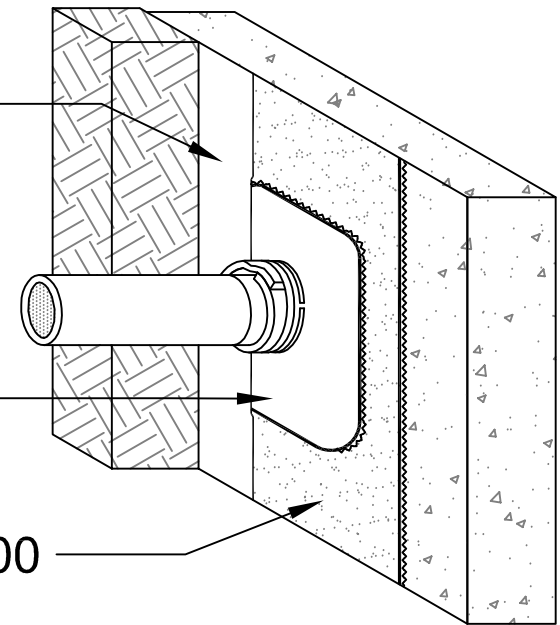
ARMORCLAY
COLLAR

STEP TWO

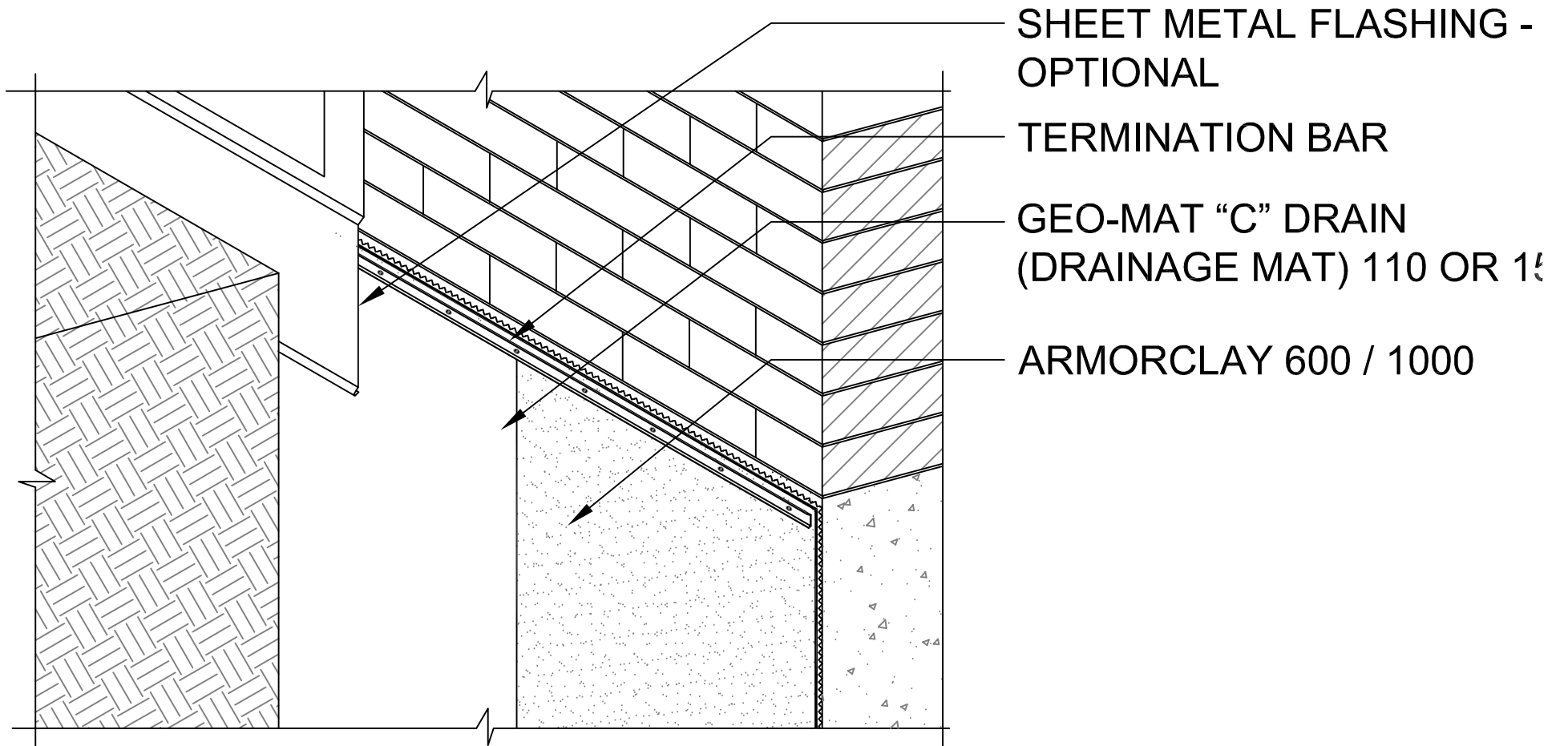
GEO-MAT "C" DRAIN
(DRAINAGE MAT)
110 OR 150

ARMORCLAY
COVER

ARMORCLAY 600/1000



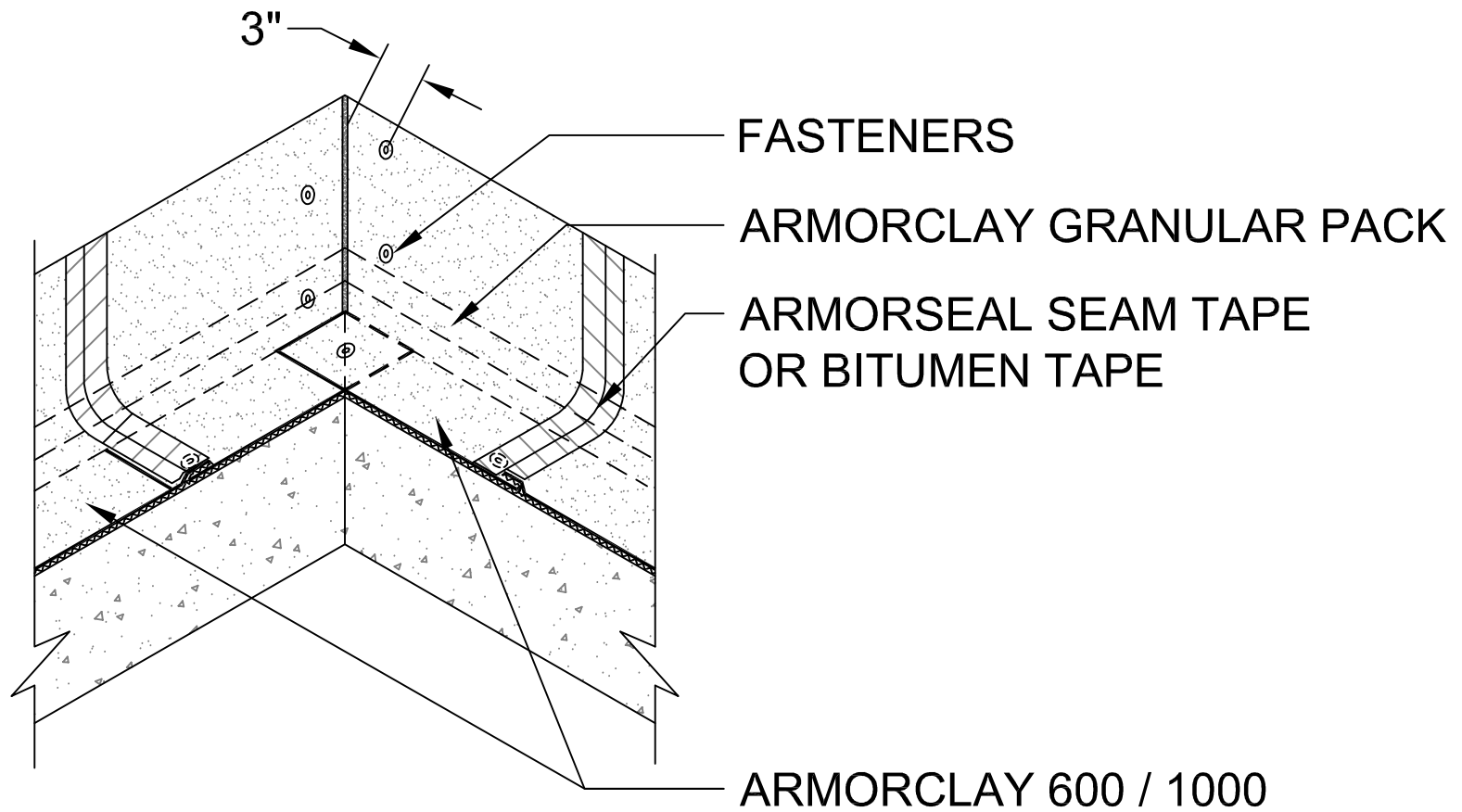
STEP THREE



A-5

WATERPROOFING TERMINATION AT GRADE

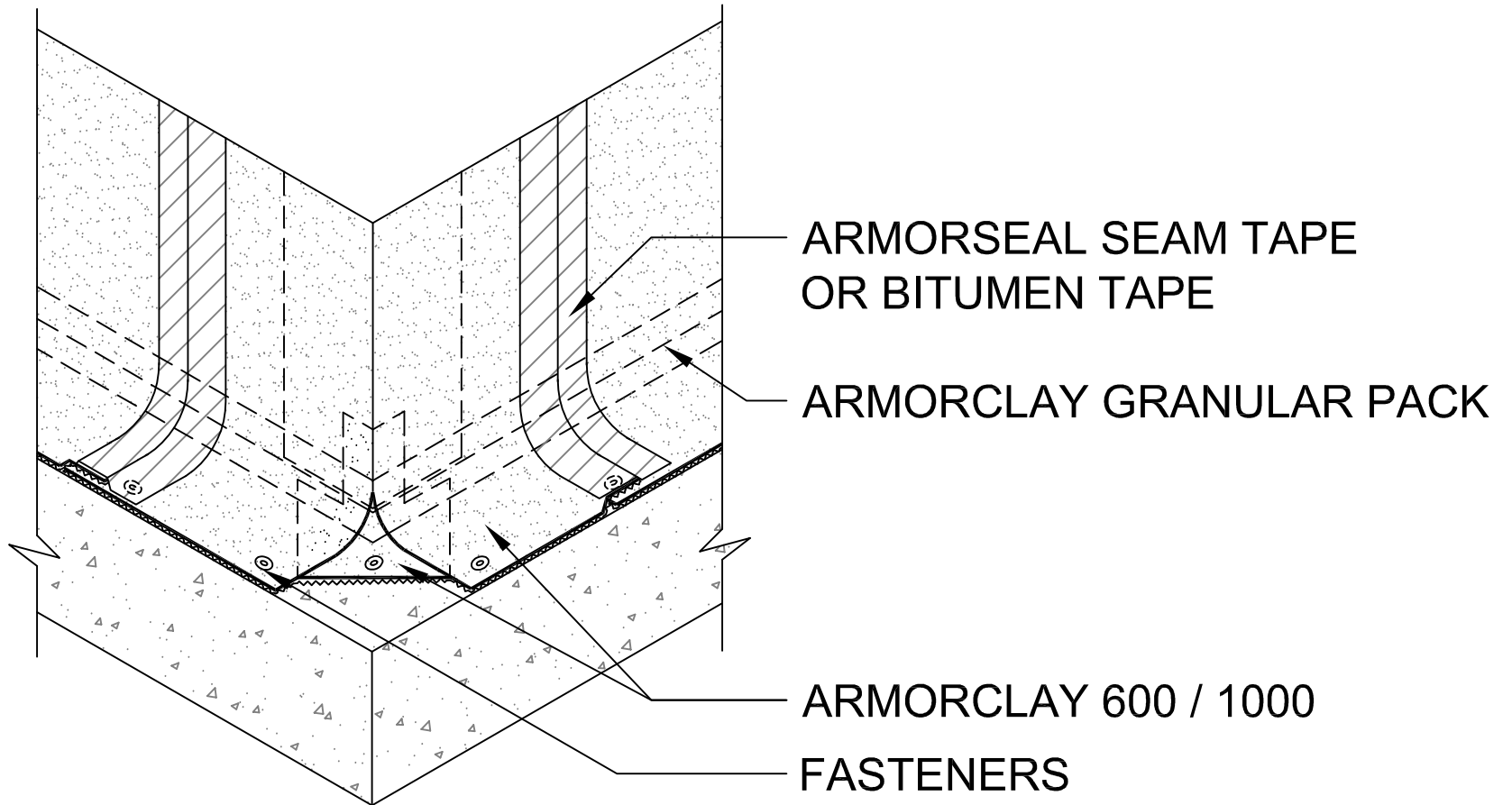




A-6

FOUNDATION WALL WATERPROOFING
INSIDE CORNER

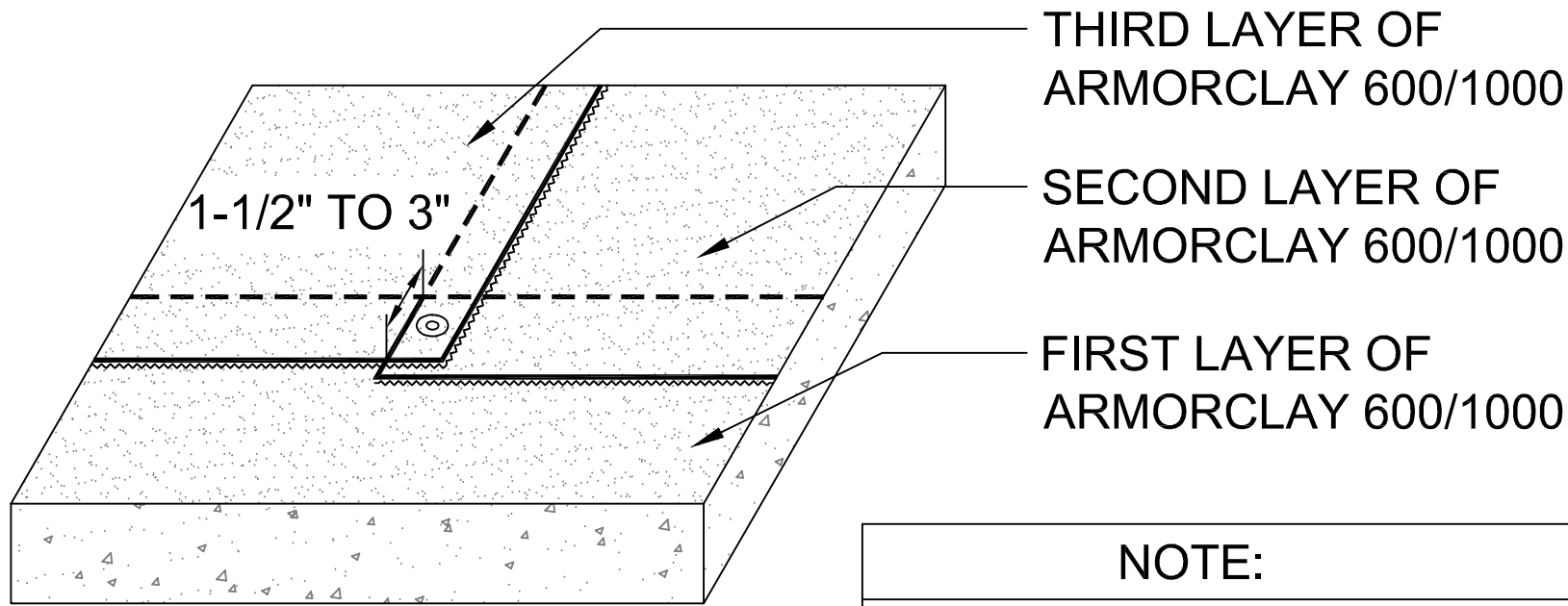




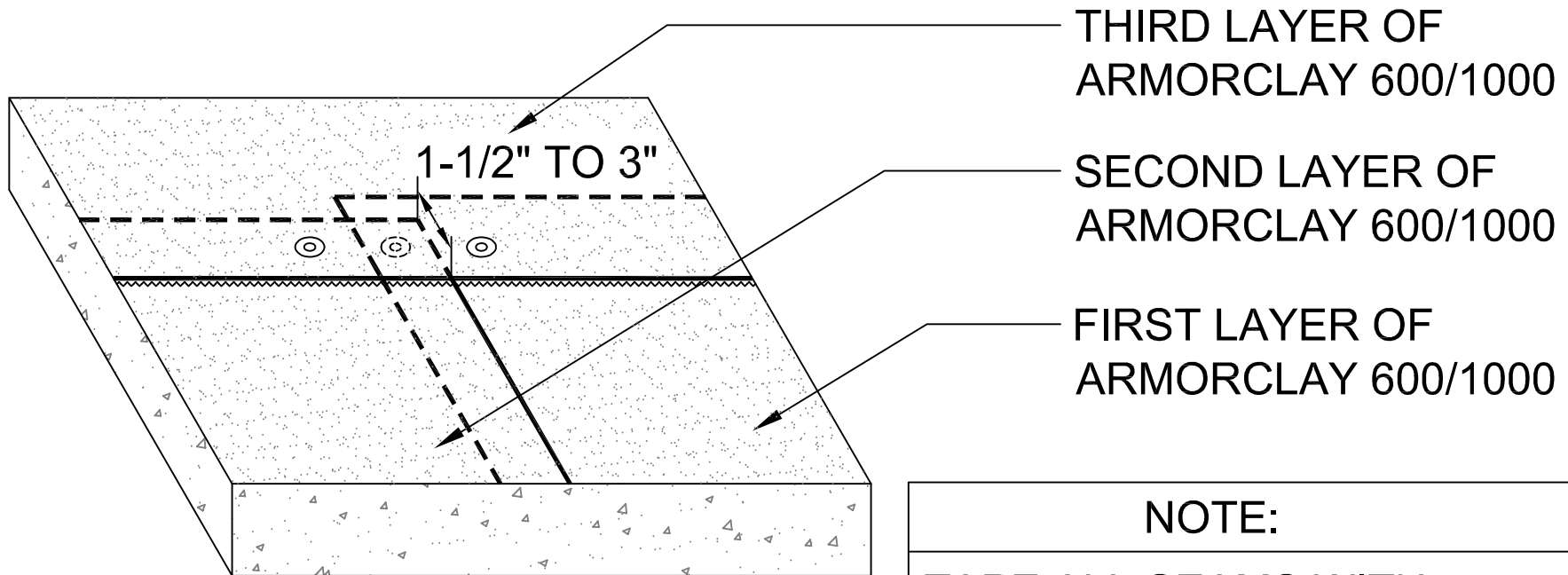
A-7

FOUNDATION WALL WATERPROOFING
OUTSIDE CORNER





NOTE:
 TAPE ALL SEAMS WITH
 ARMORSEAL SEAM TAPE OR
 BITUMEN TAPE (NOT SHOWN)



NOTE:
 TAPE ALL SEAMS WITH
 ARMORSEAL SEAM TAPE OR
 BITUMEN TAPE (NOT SHOWN)

WOOD LAGGING WITH SOLDIER
PILE REMOVED FOR CLARITY

DRAINAGE LAYER / 20 MIL HDPE

ARMORCLAY 600/1000

ARMORCLAY 600/1000
TIEBACK COVER

TIEBACK ROD

ARMORCLAY MASTIC

ARMORCLAY MASTIC
AT ALL SEAMS

INSTALLATION NOTES:

- 1) THOROUGHLY COAT THE TIEBACK PENETRATIONS AND FILL THE ARMORCLAY TIEBACK COVER WITH ARMORSEAL MASTIC.
- 2) INSTALL THE TIEBACK COVER AND FASTEN THE FLANGES WITH APPROPRIATE FASTENERS.
- 3) SPREAD ADDITIONAL MASTIC AT CORNERS OF THE COVER. USE ARMORCLAY MASTIC AND FASTENERS TO TIE IN WATERPROOFING MEMBRANE